


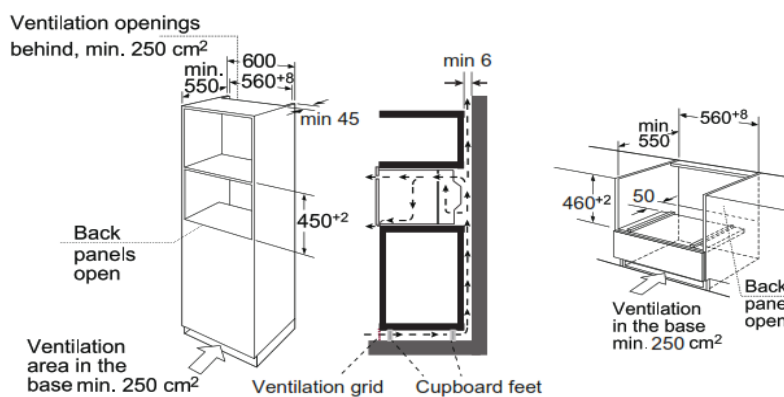
# Appliance Data Sheet

<b>Product Type</b>	<b>Microwave</b>
<b>Product Code</b>	<b>UBC45CM</b>
	<b>Product Description</b>
	Combination Microwave

## Features / Specification

Barcode	8422248617345
Colour	Black Glass / Aluminium Handle
Capacity	50L
Microwave Power	900W
Grill Power	Top 900W Top (radiant) 1300W Bottom 1000W
Convection Power	1700W
LED Display	LED Touch Control
Auto Cooking Programmes	Yes
Defrost	Yes
Quick Start	No
Child Safety Lock	Yes
Push Button Door Release	No
Combination cooking	Yes

## Dimensions & Technical Information



Note: There should be gap above the oven.

Product Dimensions width x depth x height	595 x 568 x 454mm
Packed Dimensions width x depth x height	700 x 670 x 550mm
Product Weight (kg)	42.8kg Packed 38.8kg Unpacked
Max Power	3000 watts
Supply Connection	16A